

88 PL100
15 WAY R-ANGLE DRANGE PLUG



PRODUCT INDICATORS								
-10	-13	-15	-20	-23	-25	-30	-35	-
T88510 2K2	T88513 2K2	T88515 2K2	T88520 2K2	T88523 2K2	T88525 2K2	T88530 2K2	T88535 2K2	T885- 2K2

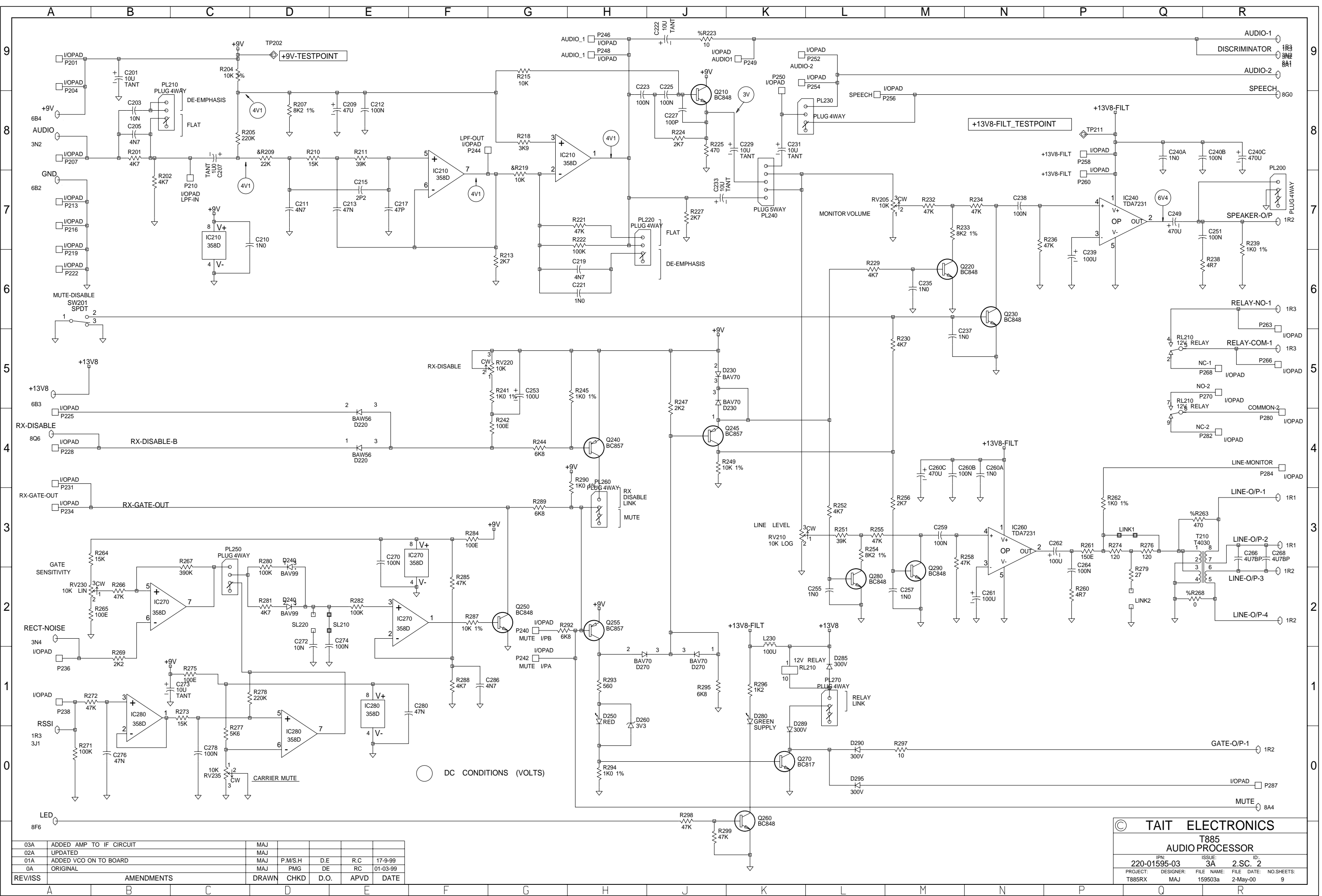
DGND & GND ARE CONNECTED THROUGH R617 ON SHEET 6

REV/ISS	AMENDMENTS	DRAWN	CHKD	D.O.	APVD	DATE
03A	ADDED AMP TO IF CIRCUIT	MAJ				
02A	UPDATED	MAJ				
01A	ADDED VCO ON TO BOARD	MAJ	P.M/S.H	D.E	R.C	17-9-99
0A	ORIGINAL	MAJ	PMG	DE	RC	01-03-99

© TAIT ELECTRONICS
T885 RECEIVER

IPN: 220-01595-03 ISSUE: 3A ID: 2.S.C. 1

PROJECT: T885RX DESIGNER: MAJ FILE NAME: 159503a FILE DATE: 2-May-00 NO.SHEETS: 9

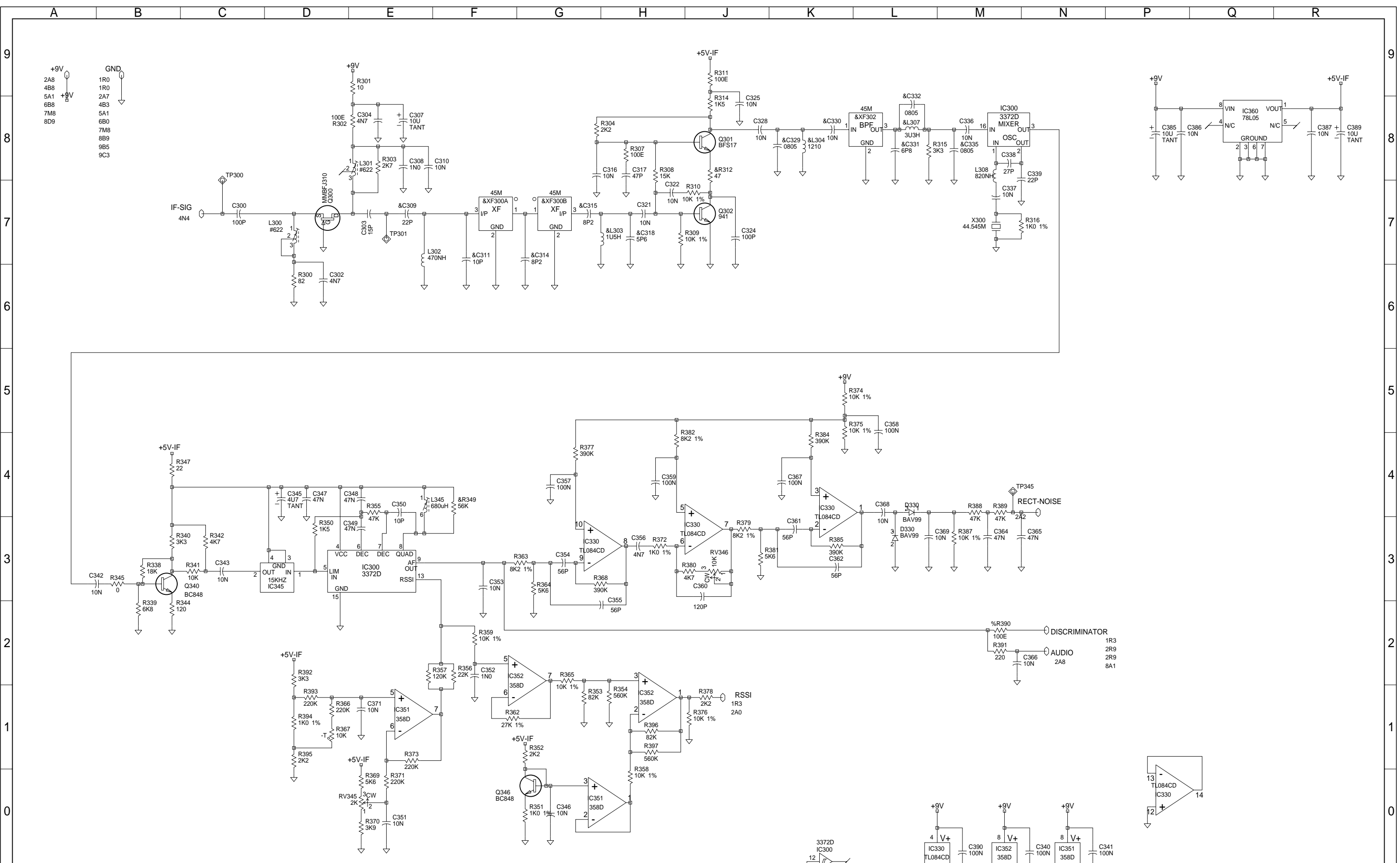


REV/ISS	AMENDMENTS	DRAWN	CHKD	D.O.	APVD	DATE
03A	ADDED AMP TO IF CIRCUIT	MAJ				
02A	UPDATED	MAJ				
01A	ADDED VCO ON TO BOARD	MAJ	P.M/S.H	D.E	R.C	17-9-99
0A	ORIGINAL	MAJ	PMG	DE	RC	01-03-99

© TAIT ELECTRONICS

T885
AUDIO PROCESSOR

IPN: 220-01595-03	ISSUE: 3A	ID: 2.S.C. 2
PROJECT: T885RX	DESIGNER: MAJ	FILE NAME: 159503a
FILE DATE: 2-May-00	NO.SHEETS: 9	



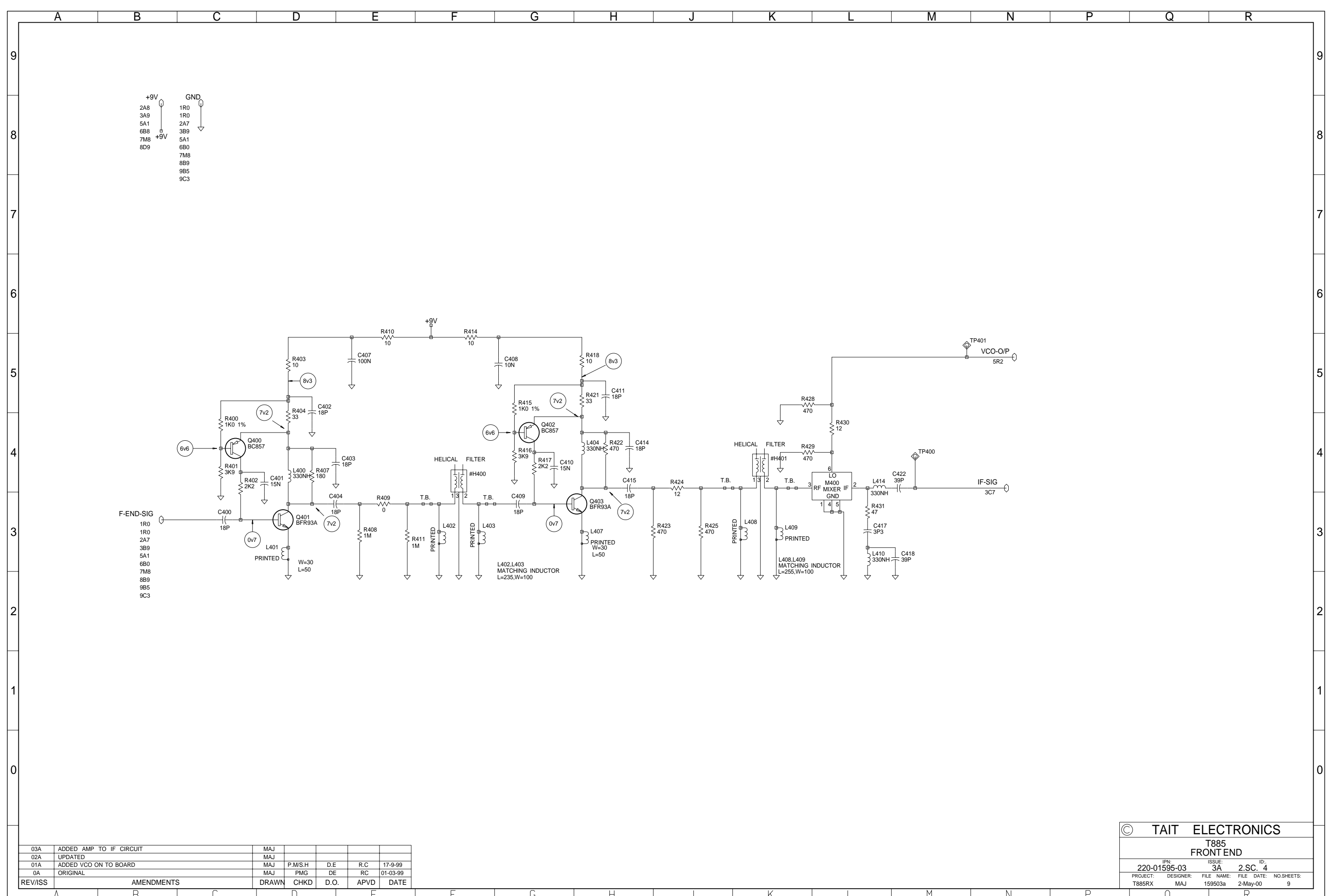
03A	ADDED AMP TO IF CIRCUIT	MAJ				
02A	UPDATED	MAJ				
01A	ADDED VCO ON TO BOARD	MAJ	P.M/S.H	D.E	R.C	17-9-99
0A	ORIGINAL	MAJ	PMG	DE	RC	01-03-99
REV/ISS	AMENDMENTS	DRAWN	CHKD	D.O.	APVD	DATE

© TAIT ELECTRONICS

T885
IF

IPN: 220-01595-03 ISSUE: 3A ID: 2.S.C. 3

PROJECT: T885RX DESIGNER: MAJ FILE NAME: 159503a FILE DATE: 2-May-00 NO.SHEETS: 9



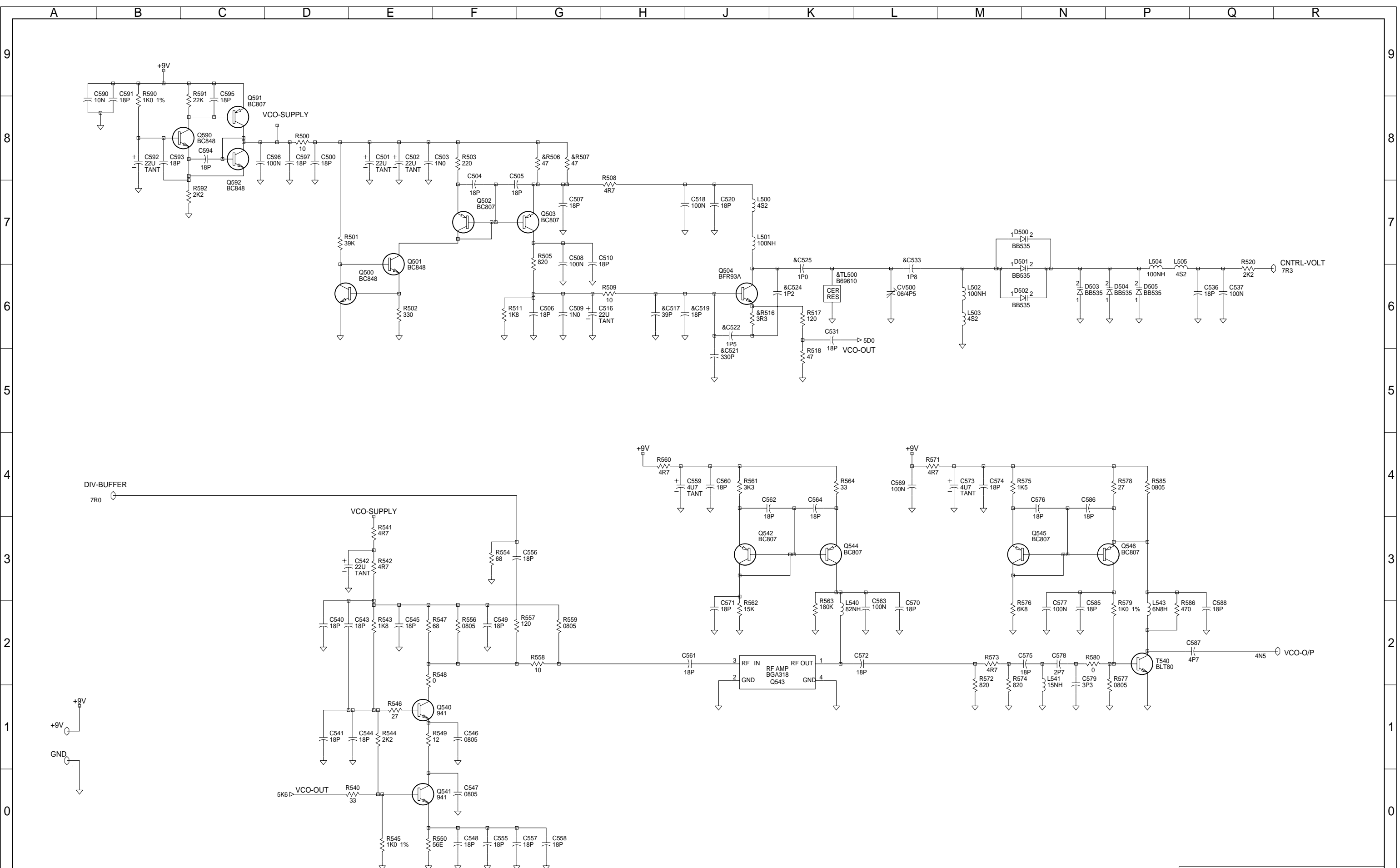
+9V		GND	
2A8	1R0	1R0	1R0
3A9	1R0	2A7	3B9
5A1	3B9	5A1	6B0
6B8	5A1	6B0	7M8
7M8	6B0	8B9	9B5
8D9	9B5	9C3	

03A	ADDED AMP TO IF CIRCUIT	MAJ				
02A	UPDATED	MAJ				
01A	ADDED VCO ON TO BOARD	MAJ	P.M/S.H	D.E	R.C	17-9-99
0A	ORIGINAL	MAJ	PMG	DE	RC	01-03-99
REV/ISS	AMENDMENTS	DRAWN	CHKD	D.O.	APVD	DATE

© TAIT ELECTRONICS

T885
FRONT END

IPN: 220-01595-03	ISSUE: 3A	ID: 2.S.C. 4
PROJECT: T885RX	DESIGNER: MAJ	FILE NAME: 159503a
FILE DATE: 2-May-00	NO.SHEETS: 9	



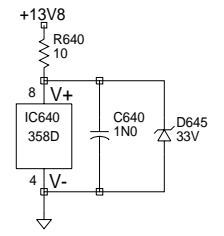
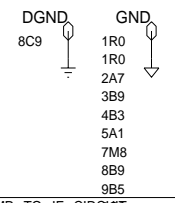
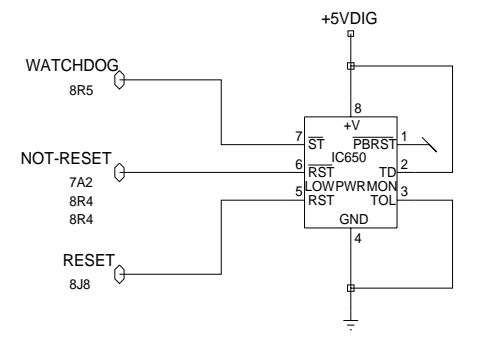
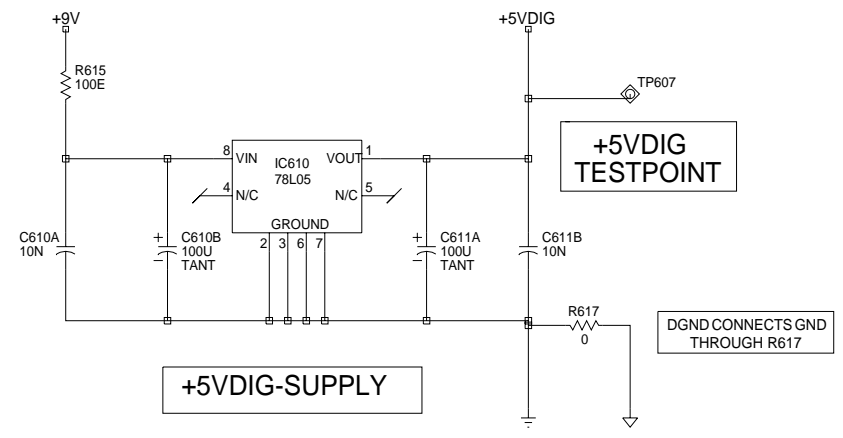
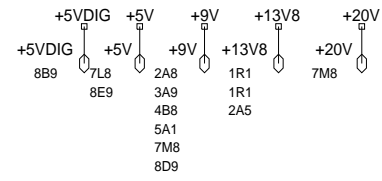
03A	ADDED AMP TO IF CIRCUIT	MAJ				
02A	UPDATED	MAJ				
01A	ADDED VCO ON TO BOARD	MAJ	P.M/S.H	D.E	R.C	17-9-99
0A	ORIGINAL	MAJ	PMG	DE	RC	01-03-99
REV/ISS	AMENDMENTS	DRAWN	CHKD	D.O.	APVD	DATE

© TAIT ELECTRONICS

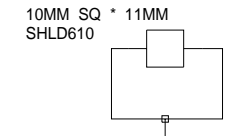
T885
VCO

IPN: 220-01595-03 ISSUE: 3A ID: 2.S.C. 5

PROJECT: T885RX DESIGNER: MAJ FILE NAME: 159503a FILE DATE: 2-May-00 NO.SHEETS: 9

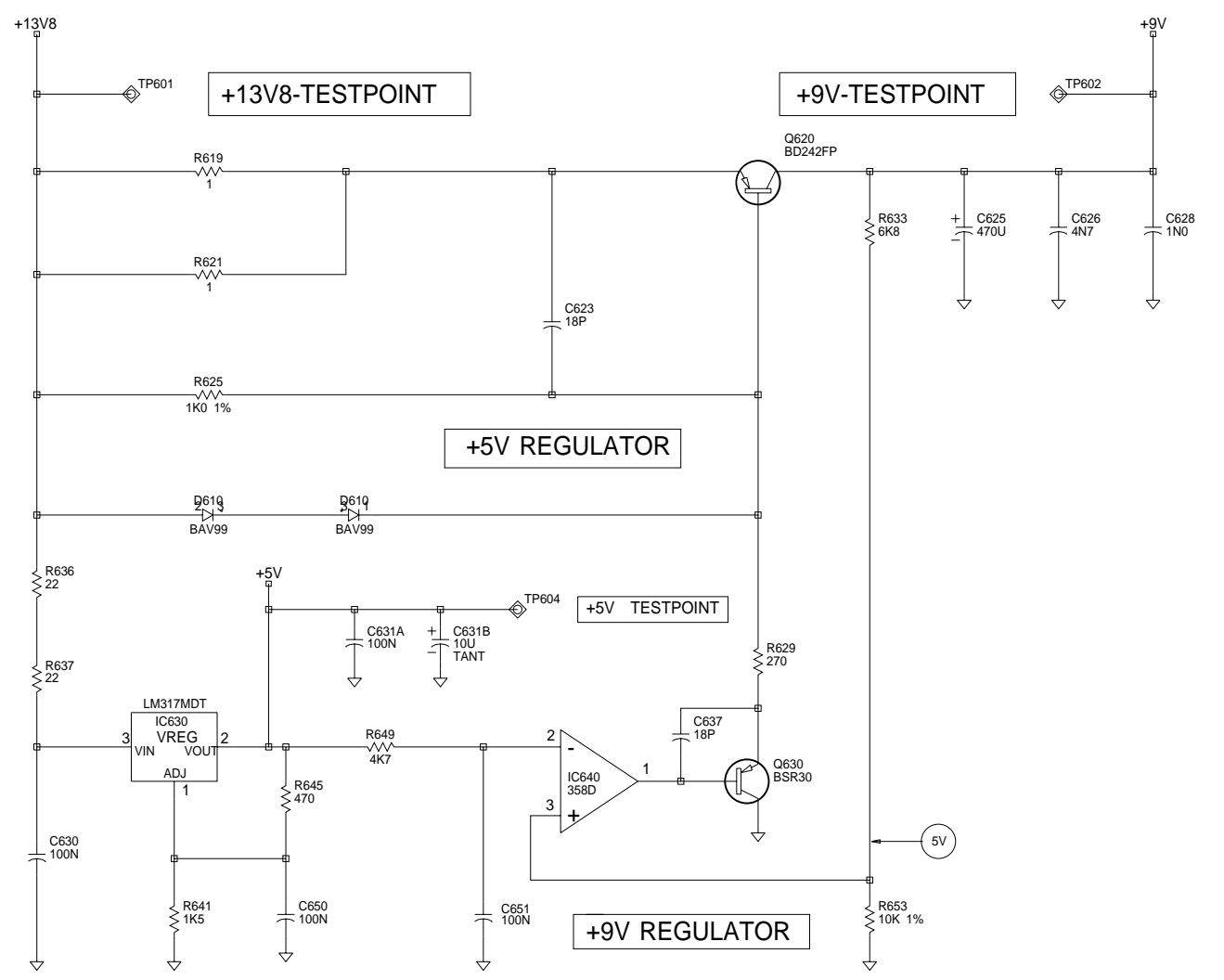
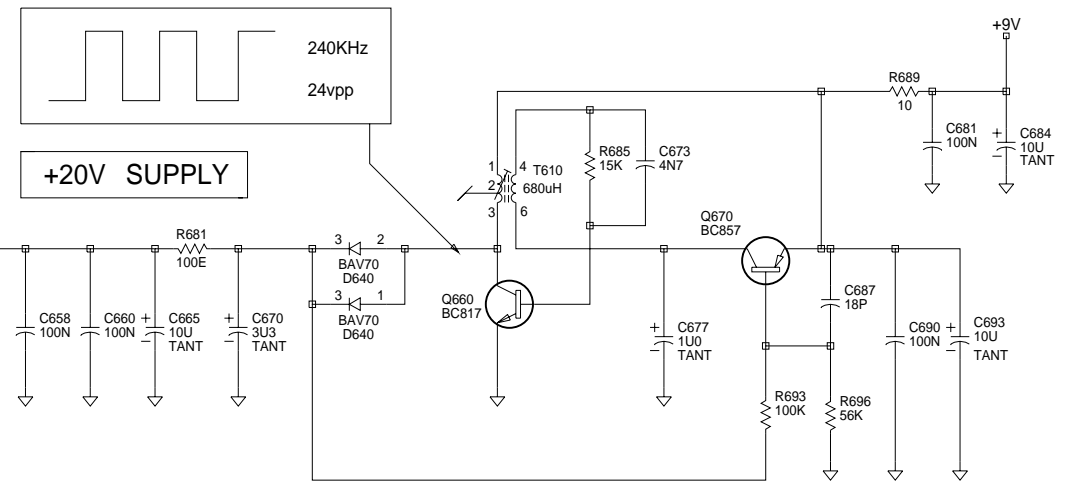


CAN TO SHIELD T610



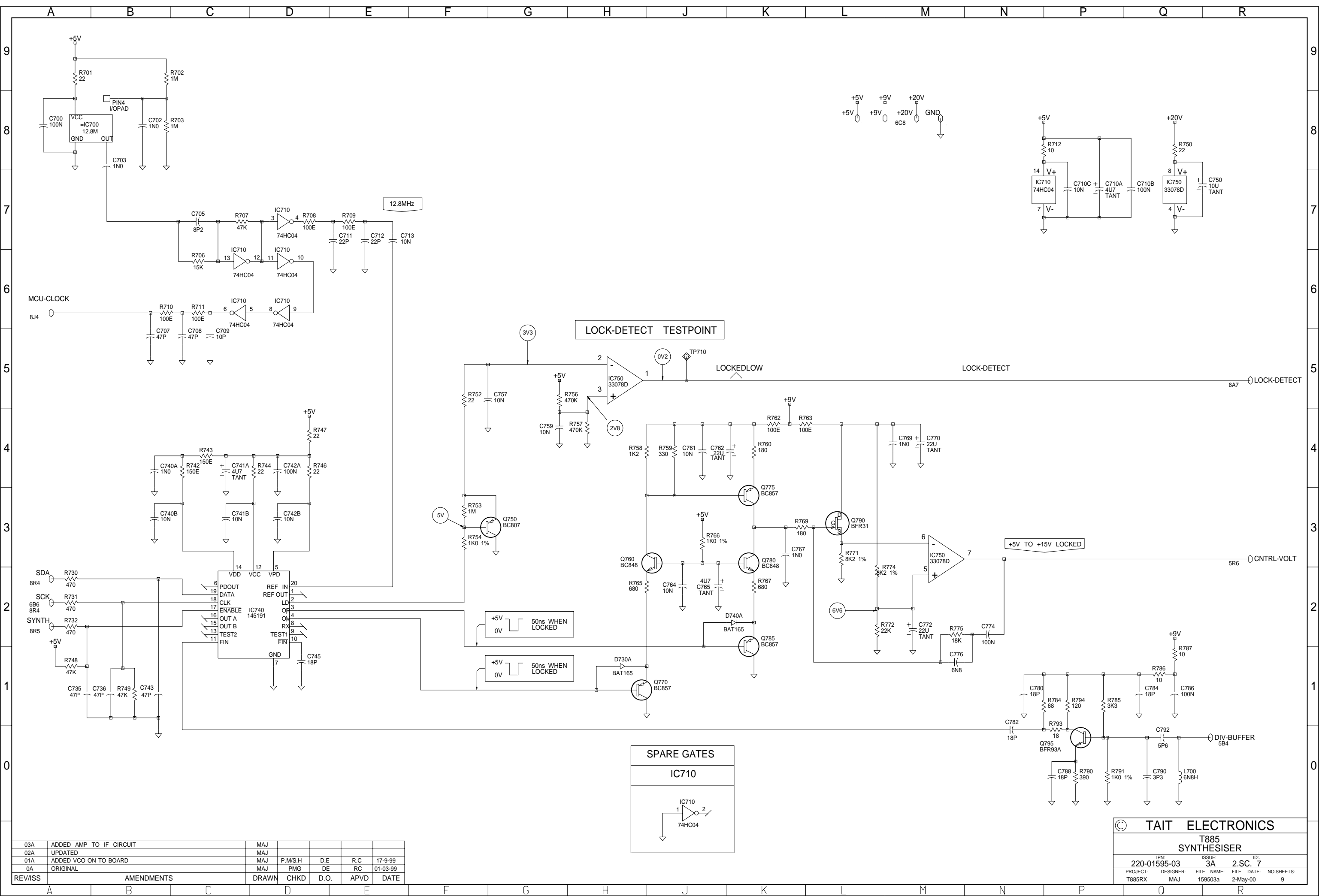
+20V TESTPOINT

+20V SUPPLY



03A	ADDED AMP TO IF CIRCUIT	MAJ				
02A	UPDATED	MAJ				
01A	ADDED VCO ON TO BOARD	MAJ	P.M/S.H	D.E	R.C	17-9-99
0A	ORIGINAL	MAJ	PMG	DE	RC	01-03-99
REV/ISS	AMENDMENTS	DRAWN	CHKD	D.O.	APVD	DATE

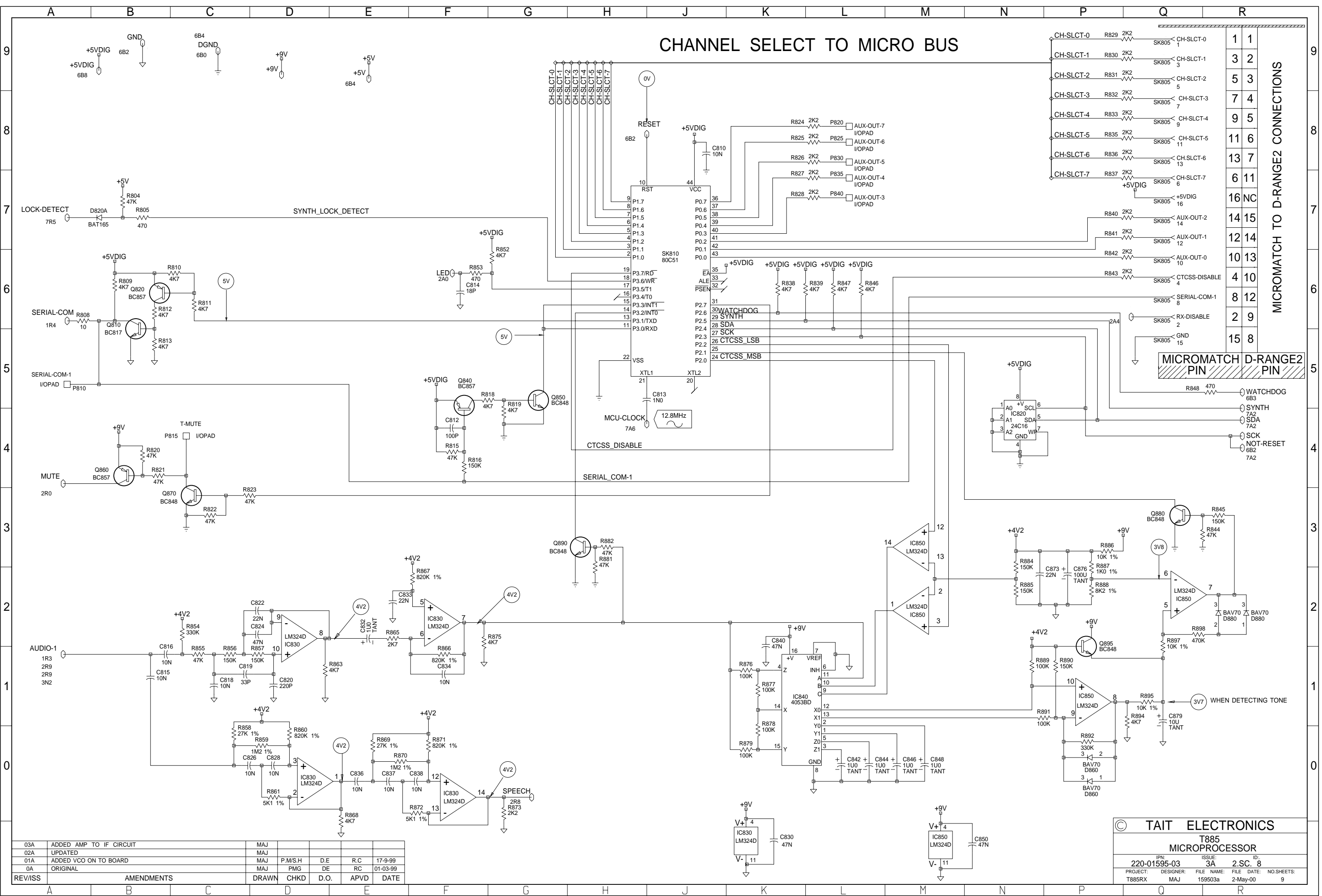
© TAIT ELECTRONICS			
T885 REGULATOR			
IPN: 220-01595-03	ISSUE: 3A	ID: 2.S.C. 6	
PROJECT: T885RX	DESIGNER: MAJ	FILE NAME: 159503a	FILE DATE: 2-May-00
		NO.SHEETS: 9	



03A	ADDED AMP TO IF CIRCUIT	MAJ				
02A	UPDATED	MAJ				
01A	ADDED VCO ON TO BOARD	MAJ	P.M/S.H	D.E	R.C	17-9-99
0A	ORIGINAL	MAJ	PMG	DE	RC	01-03-99
REV/ISS	AMENDMENTS	DRAWN	CHKD	D.O.	APVD	DATE

© TAIT ELECTRONICS			
T885 SYNTHESISER			
IPN:	ISSUE:	ID:	
220-01595-03	3A	2.S.C. 7	
PROJECT:	DESIGNER:	FILE NAME:	FILE DATE:
T885RX	MAJ	159503a	2-May-00
			NO.SHEETS: 9

CHANNEL SELECT TO MICRO BUS



MICROMATCH D-RANGE2 PIN	
SK805 16	+5VDIG
SK805 12	AUX-OUT-0
SK805 14	AUX-OUT-1
SK805 11	AUX-OUT-2
SK805 9	AUX-OUT-3
SK805 7	AUX-OUT-4
SK805 5	AUX-OUT-5
SK805 3	AUX-OUT-6
SK805 1	AUX-OUT-7

MICROMATCH TO D-RANGE2 CONNECTIONS	
1	1
3	2
5	3
7	4
9	5
11	6
13	7
6	11
16	NC
14	15
12	14
10	13
4	10
8	12
2	9
15	8

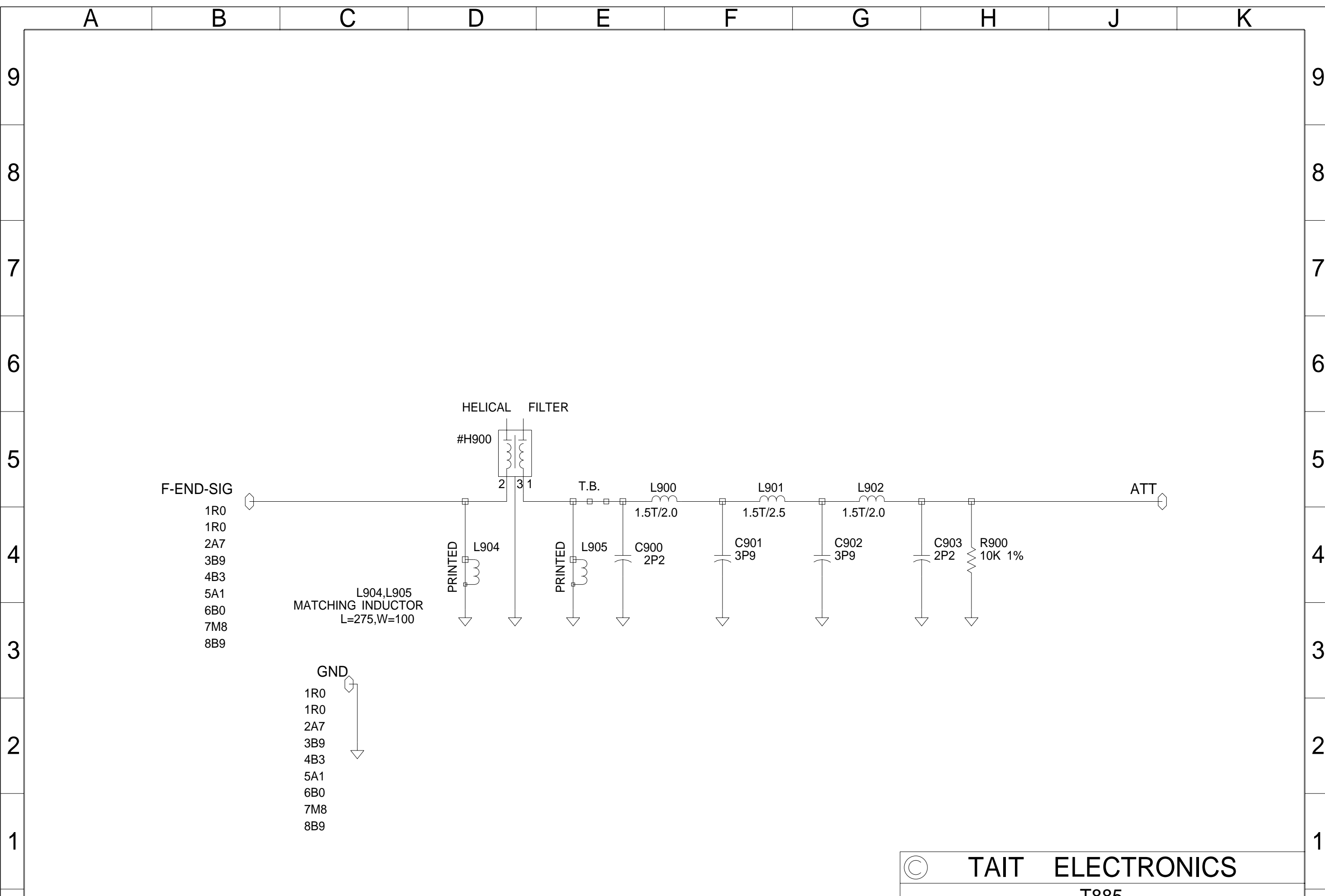
REV/ISS	AMENDMENTS	DRAWN	CHKD	D.O.	APVD	DATE
03A	ADDED AMP TO IF CIRCUIT	MAJ				
02A	UPDATED	MAJ				
01A	ADDED VCO ON TO BOARD	MAJ	P.M/S.H	D.E	R.C	17-9-99
0A	ORIGINAL	MAJ	PMG	DE	RC	01-03-99

© TAIT ELECTRONICS

T885 MICROPROCESSOR

IPN: 220-01595-03 ISSUE: 3A ID: 2.S.C. 8

PROJECT: T885RX DESIGNER: MAJ FILE NAME: 159503a FILE DATE: 2-May-00 NO.SHEETS: 9



- F-END-SIG
- 1R0
 - 1R0
 - 2A7
 - 3B9
 - 4B3
 - 5A1
 - 6B0
 - 7M8
 - 8B9

L904,L905
MATCHING INDUCTOR
L=275,W=100

- GND
- 1R0
 - 1R0
 - 2A7
 - 3B9
 - 4B3
 - 5A1
 - 6B0
 - 7M8
 - 8B9

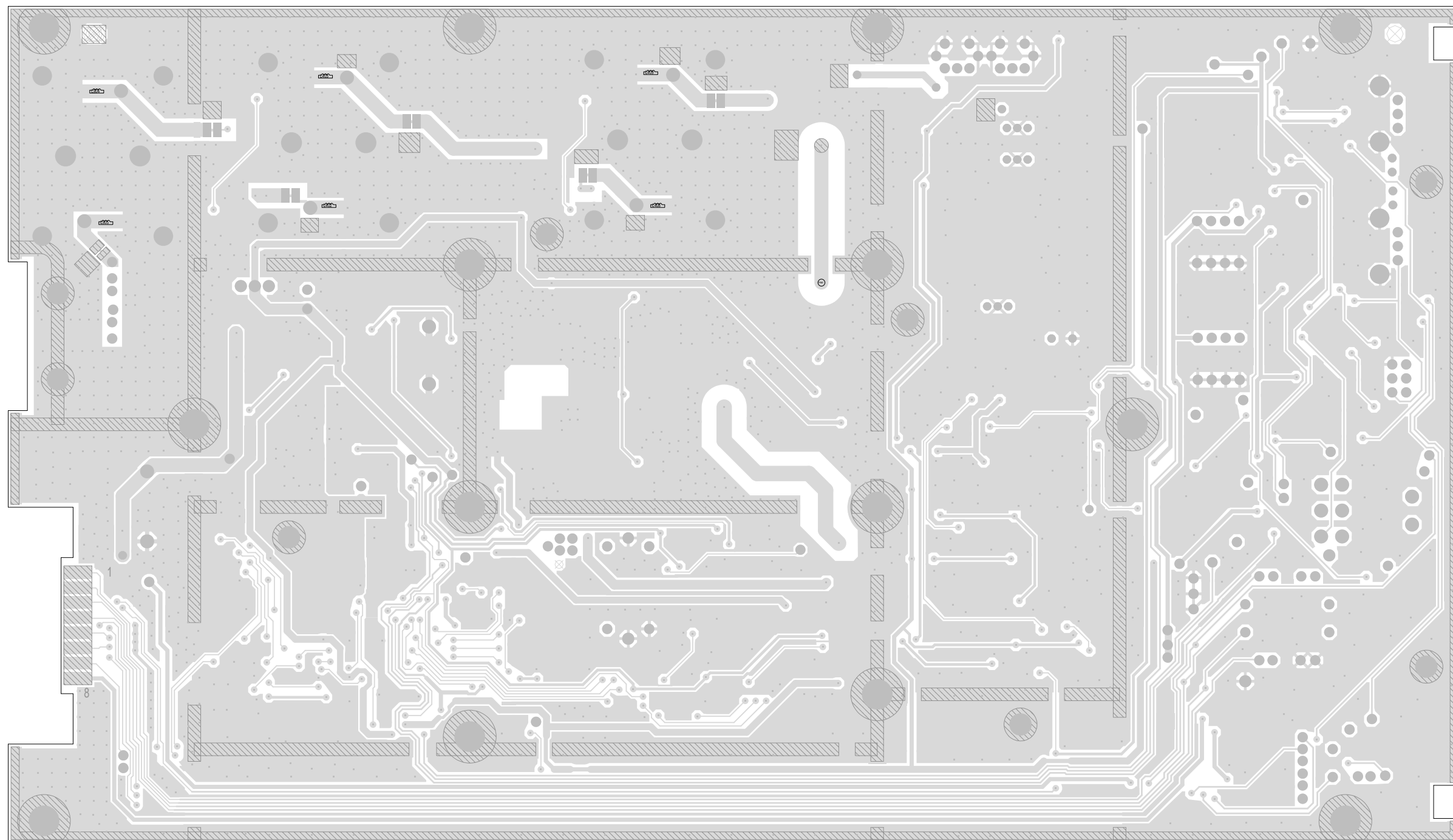
REV/ISS	AMENDMENTS	DRAWN	CHKD	D.O.	APVD	DATE
03A	ADDED AMP TO IF CIRCUIT	MAJ				
02A	UPDATED	MAJ				
01A	ADDED VCO ON TO BOARD	MAJ	P.M/S.H	D.E	R.C	17-9-99
0A	ORIGINAL	MAJ	PMG	DE	RC	01-03-99

© TAIT ELECTRONICS

T885
HARMONIC FILTER

IPN: 220-01595-03 ISSUE: 3A ID: 2.SC. 9

PROJECT: T885RX DESIGNER: MAJ FILE NAME: 159503a FILE DATE: 2-May-00 NO.SHEETS: 9



Q P N M L K J H G F E D C B A

9
8
7
6
5
4
3
2
1

TAIT ELECTRONICS	IPN: 220-01595-03	ISS: A	ID: 2.BA	DATE: 4 May 2000
885 RECEIVER PCB LAYOUT - BOTTOM SIDE				

Scale: 1.2:1 ; Rotation: 0 degrees